



OFFER NO:01AC84

OFFER TYPE:TKM-SX 1 (CAFEMINO)



CAFEMINO ELECTRICAL COFFEE ROASTING MACHINE

Toper Karakundakođlu Deđirmen Makine San Ve Tic Ltd Őti

www.toper.com.tr toper@tofer.com.tr

Adres: 5911 sok no:1 Karabađlar- İzmır-Turkey Tel : 90-232-254-01-21 Fax: 90-232-2372127



Model : Cafemino Electric

Hour Capacity : Between 3 – 4 Kgs roast per hour. Middle to Dark roast.

Batch Capacity : 1 Kg of green coffee

Roasting Time : 20 Minutes to 25Minutes. 20Minutes for Brown roast – 25 Minutes for Dark roast.

Type of Roasting : Thermal Transfer roasting. Electric heating.

Dimensions (HxLxW) : 81 x 100 x 52 Cm

Weight : 82 Kg

Voltage : 110-220- Volts, 50-60Hz, 1- Phase are available regarding to customer preference

Source of Heat : Electric 2600 Watt

Number of Motors : There are 3 motors on the machine for efficient roasting process.

Colour : Red, Black, Green or customer based colour.

Body Type : Chrome, Brass or Copper body finishing

Security Systems :

- Electric Security System : To shut down all system in condition of any problem with electric

Temperature Control : Digital Temperature control and indication

Other Specifications :

- Chaff Collector (Cyclone) is provided free.
- Simultaneous roasting and cooling at same time.
- Sampler and Glass window to control roasting
- Instalation and start up manual for easy using
- Electric panel components are CE – UL Standards listed

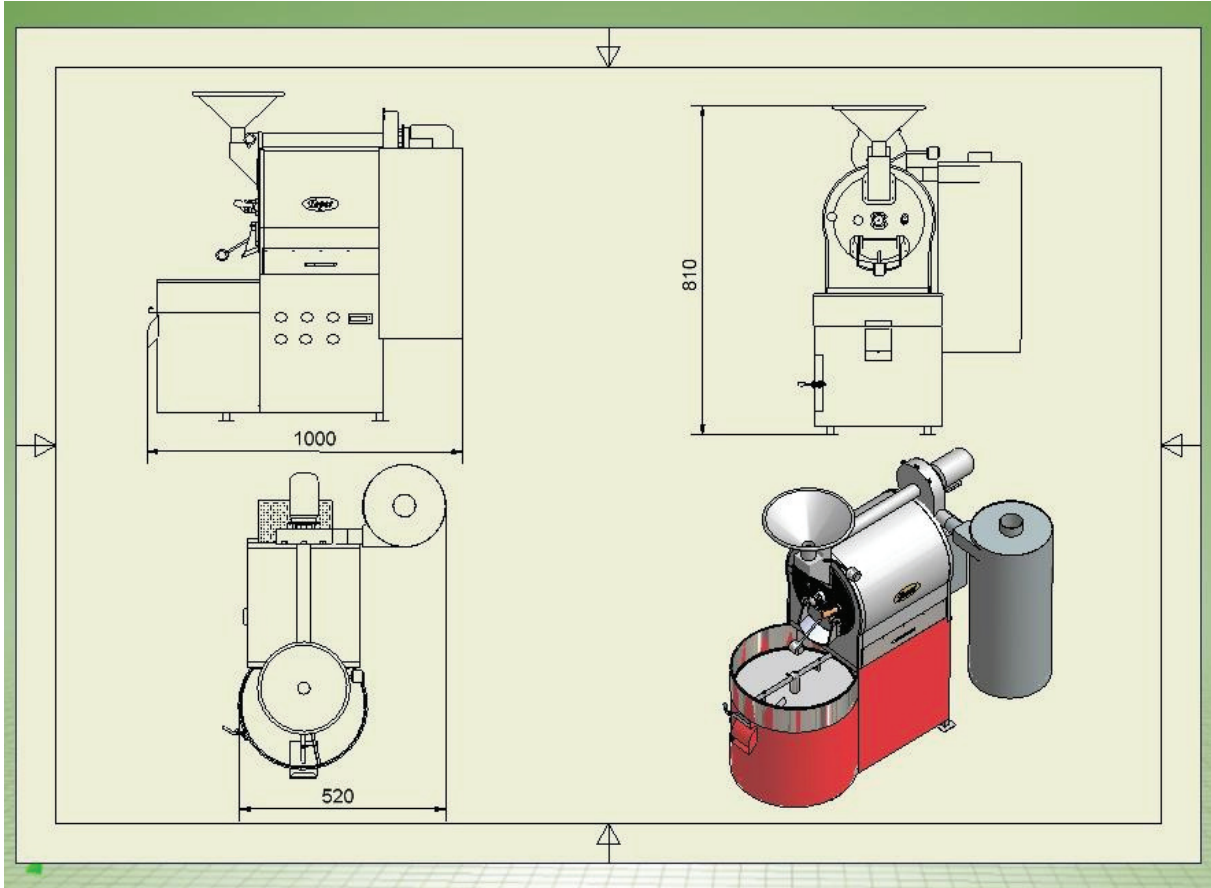
Toper Karakundakođlu Deđirmen Makine San Ve Tic Ltd Őti

www.toper.com.tr toper@tooper.com.tr

Adres: 5911 sok no:1 Karabađlar- İzmır-Turkey Tel : 90-232-254-01-21 Fax: 90-232-2372127



Schematic Diagram



TOPER CAFEMINO 1KG COFFEE ROASTER

Toper Karakundakođlu Deđirmen Makine San Ve Tic Ltd Őti

www.toper.com.tr toper@toper.com.tr

Adres: 5911 sok no:1 Karabađlar- İzmİr-Turkey Tel : 90-232-254-01-21 Fax: 90-232-2372127



Roasting Levels	Time	Temperature	Feature
Light Roasting Lightest roast	17 min	180°C-190°C	Strong acid, yellowish brown color Grain smell exits (weak flavor)
Cinnamon Roastin Light roast	18 min	180°C-190°C	Slightly acid, cinnamon color American style
Medium Roasting Light-dark roast	19 min	180°C-190°C	Acid and sweat flavors, nut color American style
High Roasting Light-medium roast	20 min	180°C-190°C	Acid is stronger than bitter.
City Roasting Medium-medium roast	21 min	180°C-190°C	Standard taste Optimal taste and flavor from New York city
Full city Roasting Dark-medium roast	22 min	180°C-190°C	Bitter is stronger than acid. Iced coffee and etc
French Roasting Dark roast	23 min	180°C-190°C	Strong bitter, rich and unique taste, French style, European cafe ore, iced coffee
Italian Roasting Darkest roast	24 min	180°C-190°C	Strong bitter without acid, black Italian espresso, cappuccino

Toper Karakundakođlu Deđirmen Makine San Ve Tic Ltd Őti

www.toper.com.tr toper@toper.com.tr

Adres: 5911 sok no:1 Karabađlar- İzmir-Turkey Tel : 90-232-254-01-21 Fax: 90-232-2372127